
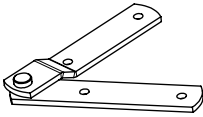
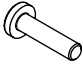

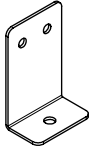

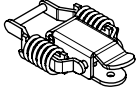
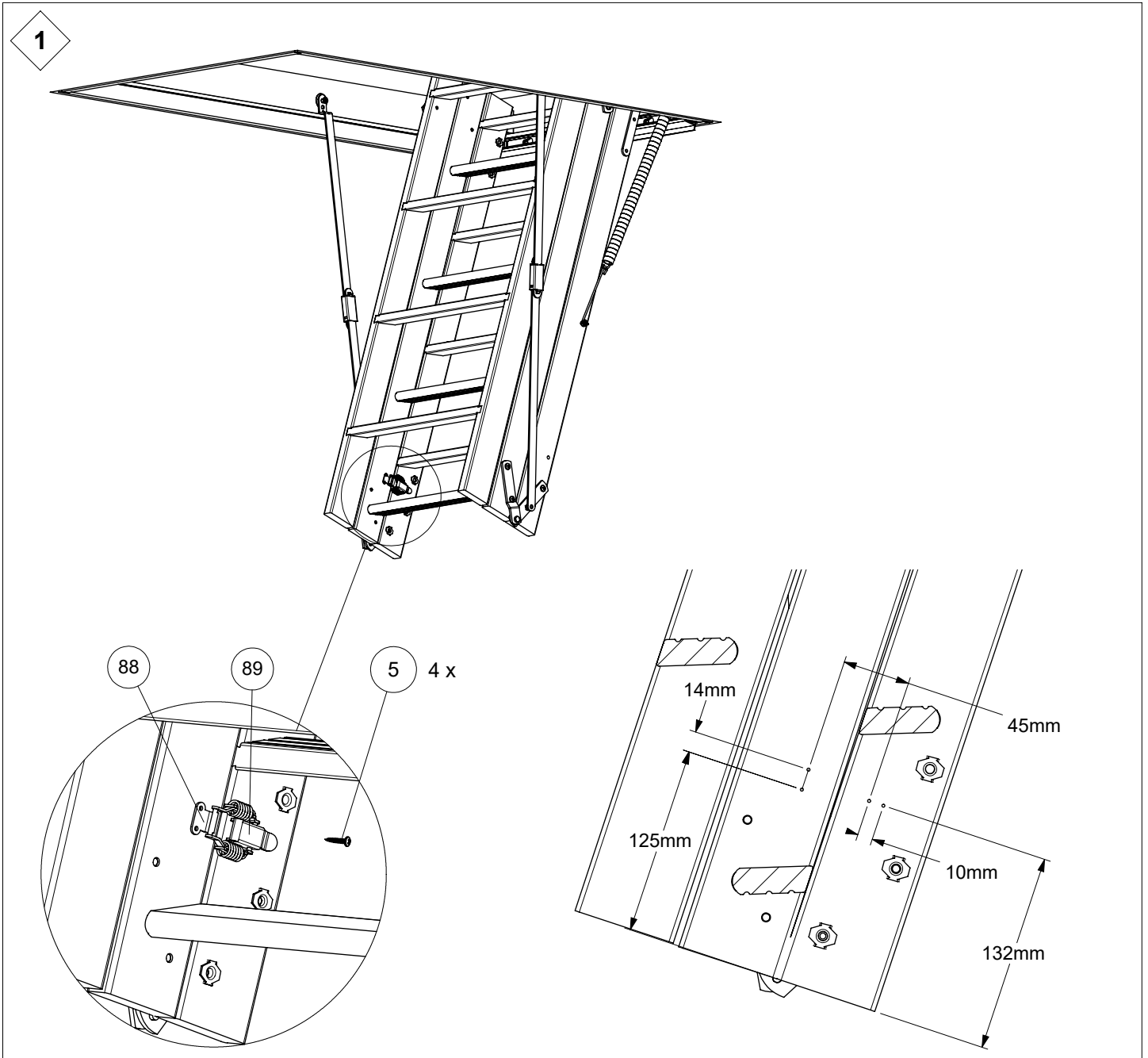


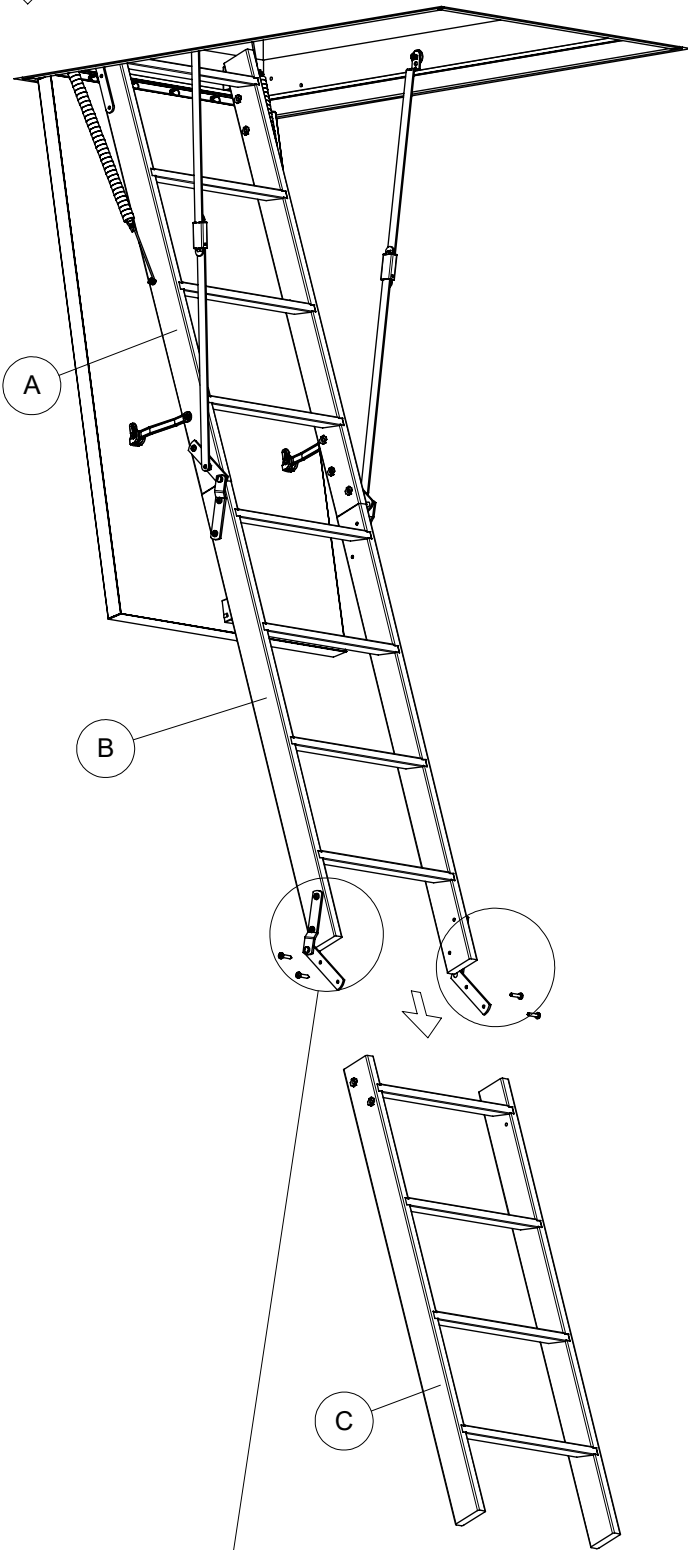
<p>5</p>  <p>R3-63210 Ø3 x 15</p>	<p>13</p>  <p>C2-10500</p>	<p>14</p>  <p>R1-63129 M6 x 25</p>
<p>32</p>  <p>R3-91350 Ø4 x 20</p>	<p>48</p>  <p>C1-09910</p>	
<p>88</p>  <p>R1-63101</p>		<p>89</p> 

### IMPORTANT

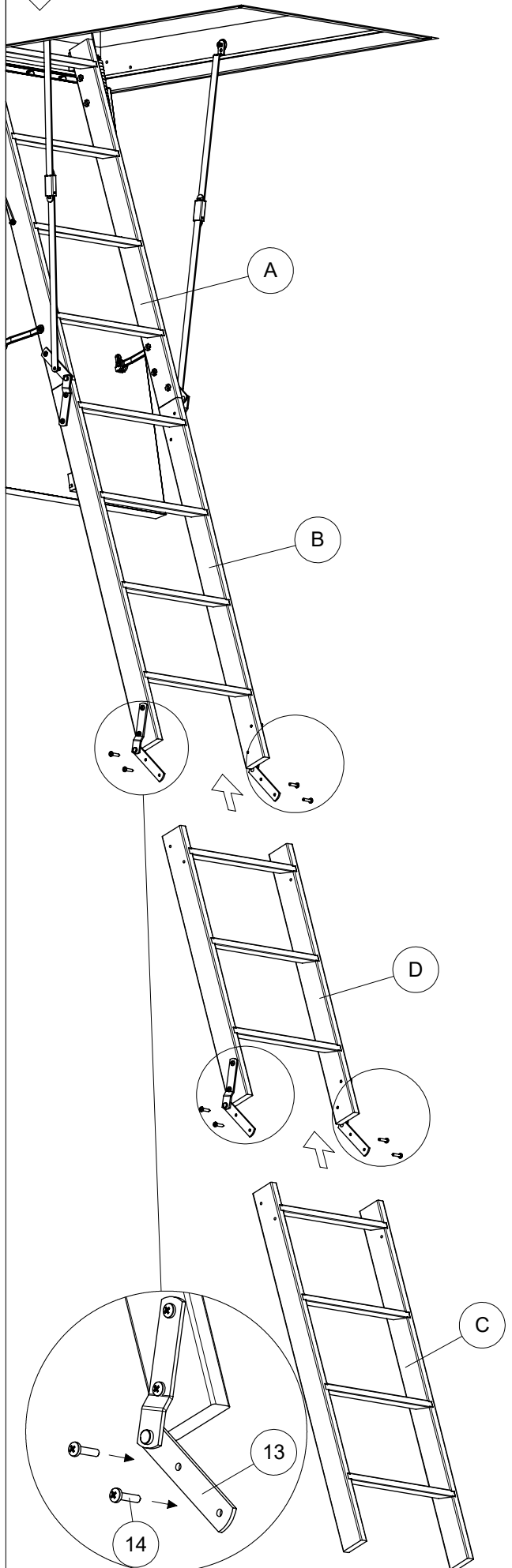
Where floor to ceiling height is greater than 3 m releasing the safety catch whilst supporting the ladder may be difficult. In this case we would recommend the use of a small step ladder for safe operation.



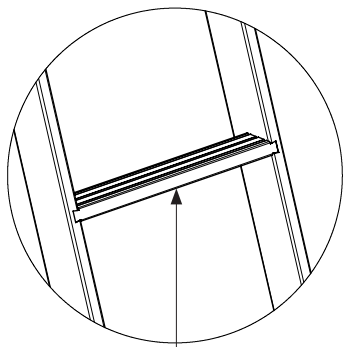
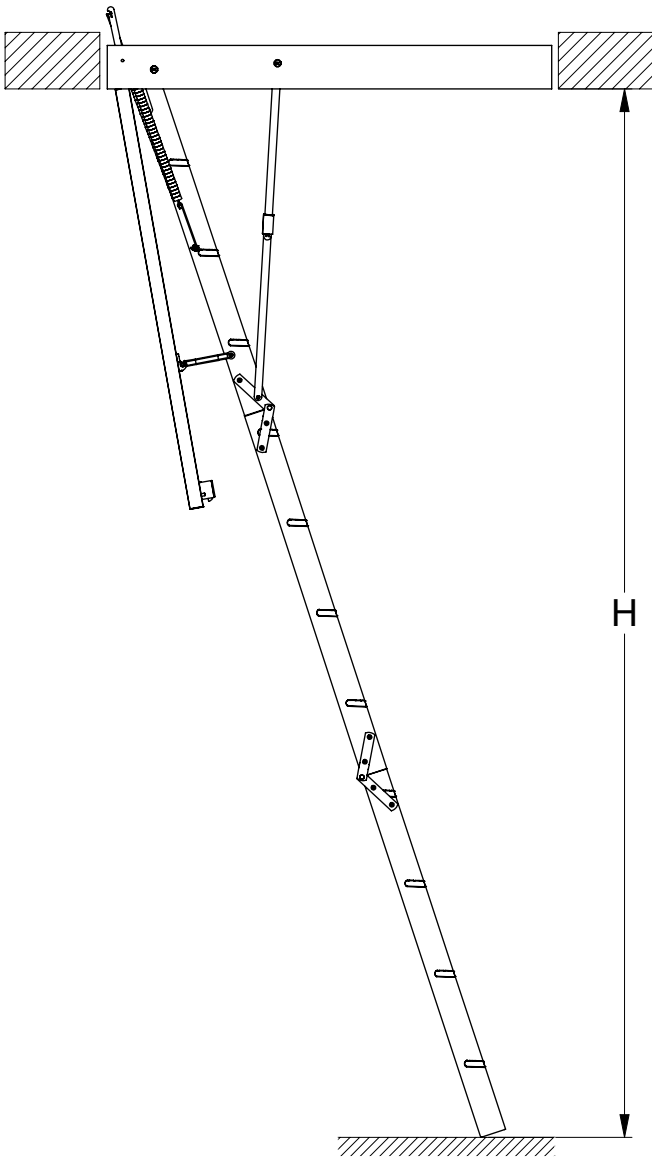
2



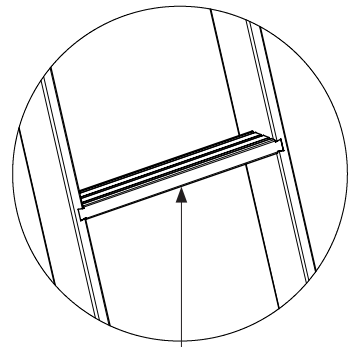
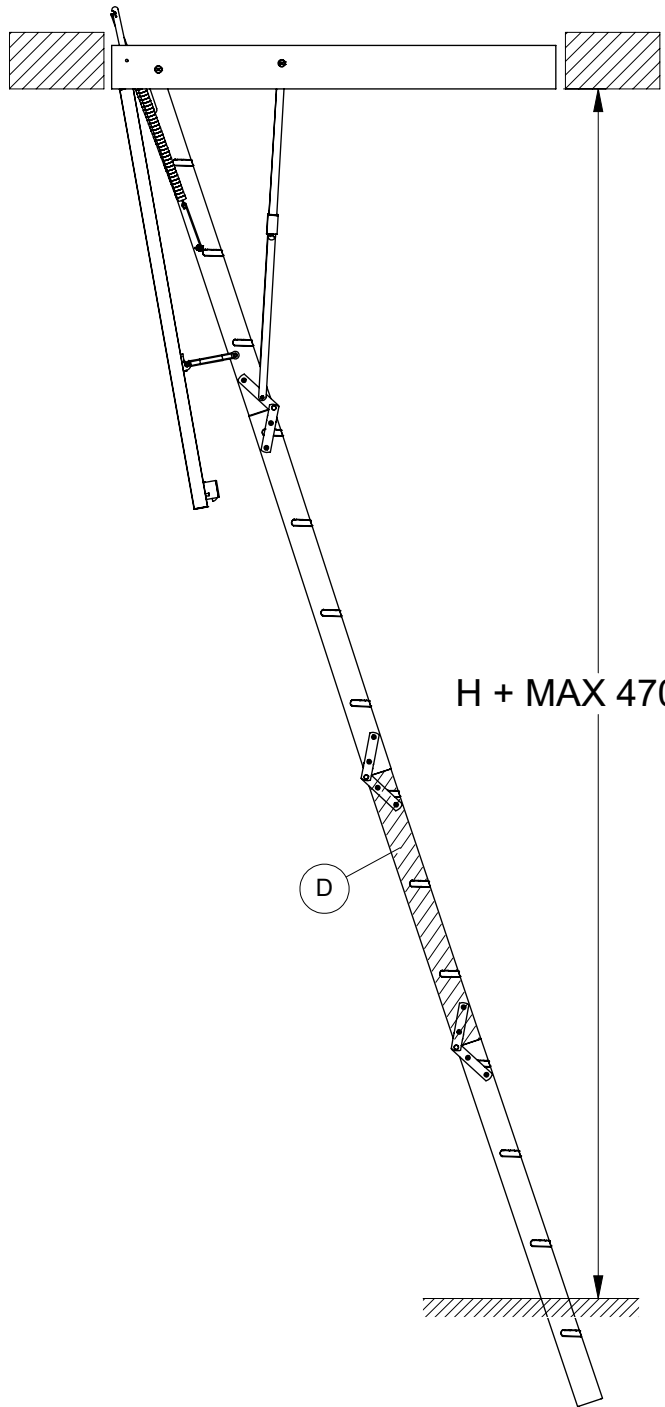
3



4

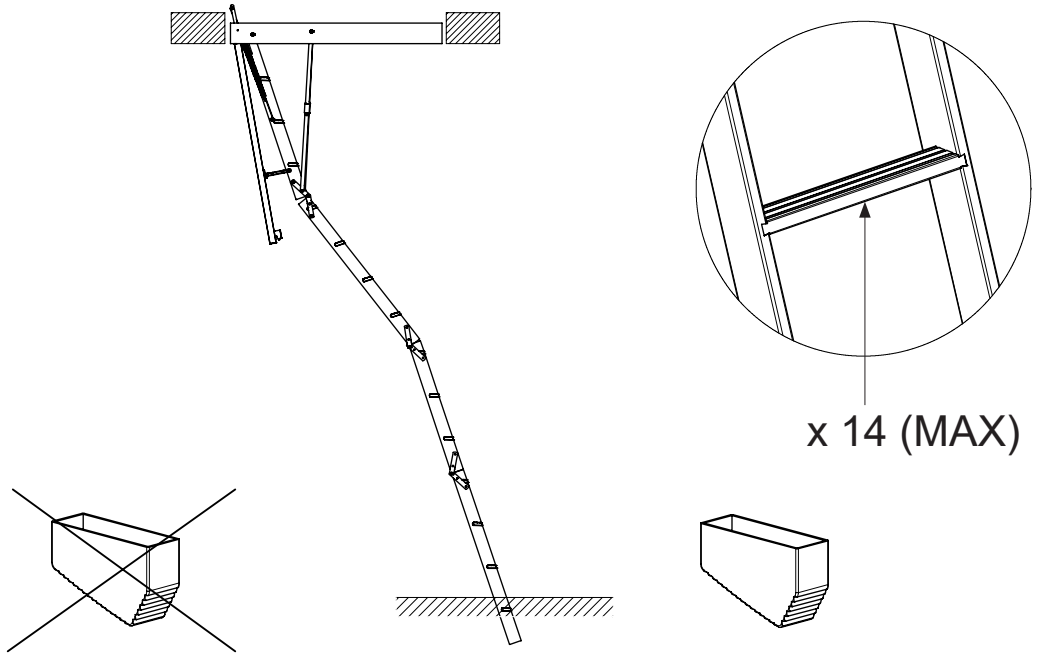


x 12

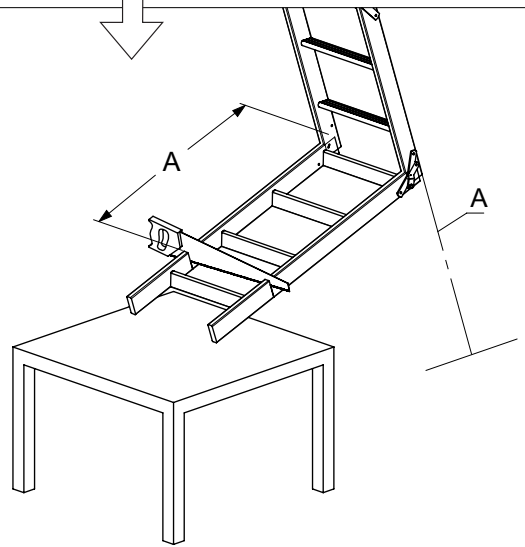
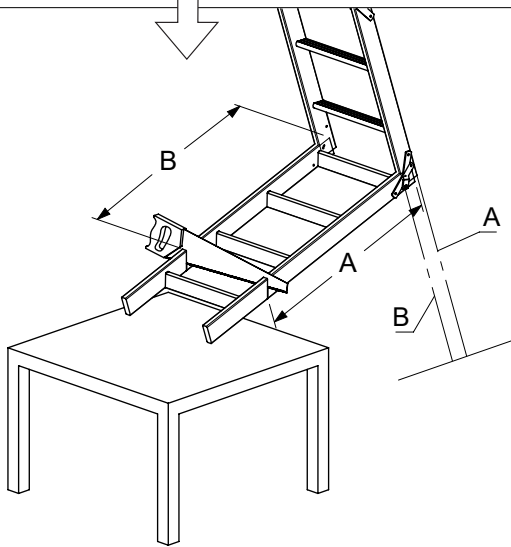


x 14 (MAX)

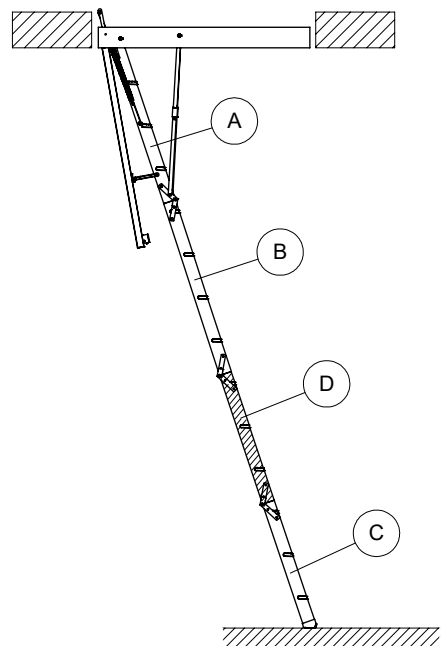
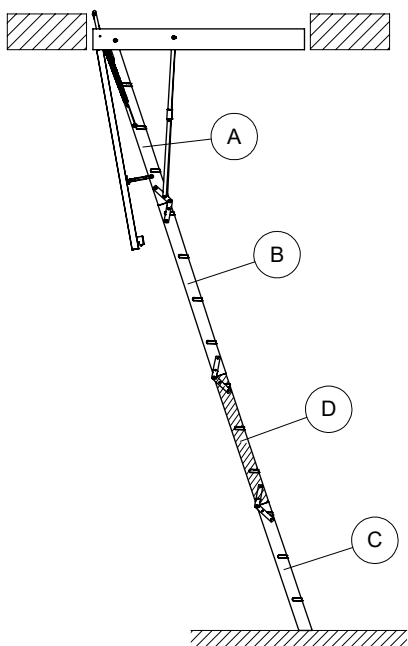
5

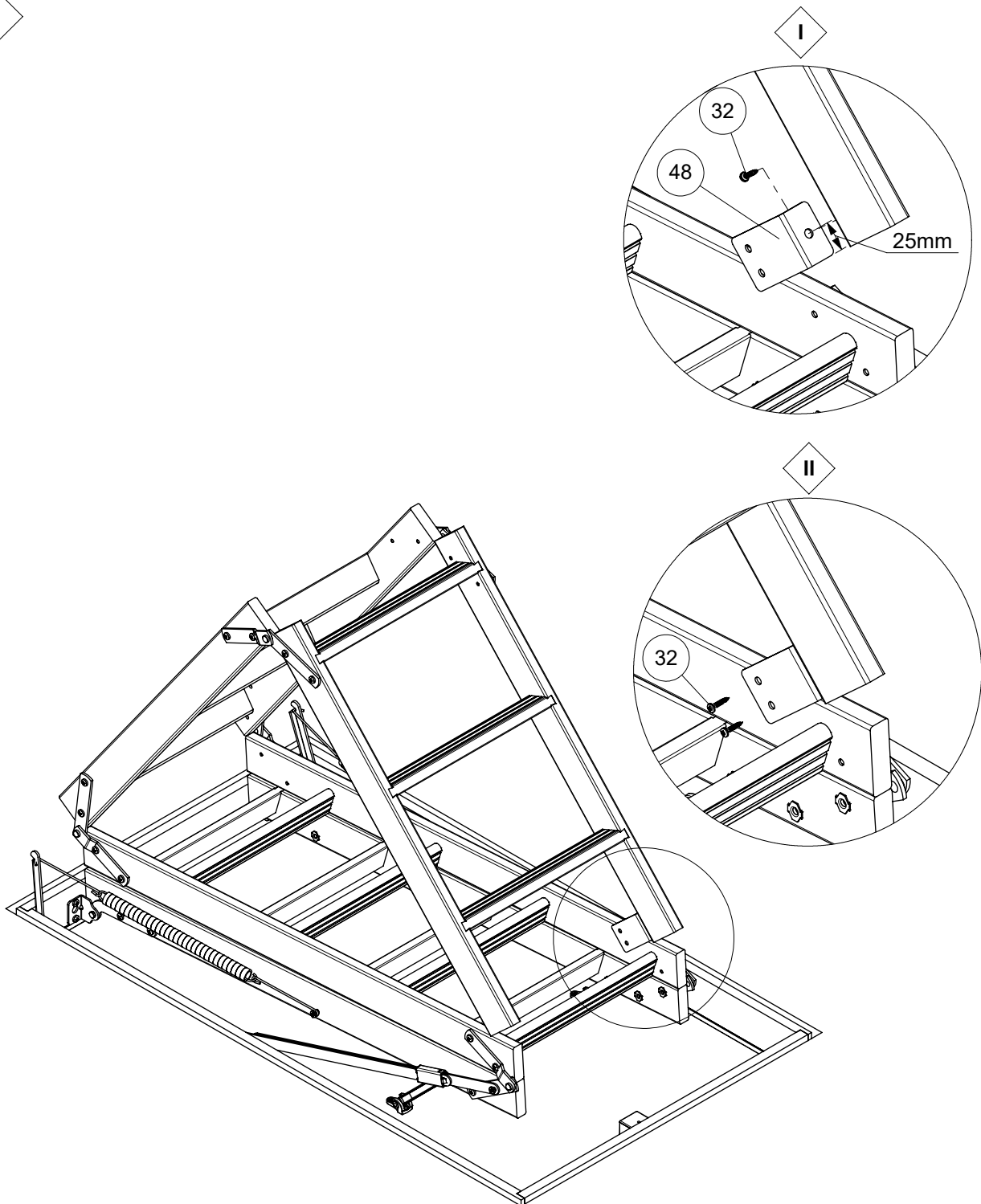


6



7





## OPERATION INSTRUCTIONS

Always follow the following sequences:

1. Open the trapdoor using the pole provided.
2. Disengage the bottom section from the locking plate.
3. Disengage the safety lock that secures the first 2 ladder sections.
4. Unfold the ladder to the floor by holding both legs with a good grip.
5. To fold and close your loft ladder, follow the above mentioned sequences in reverse.