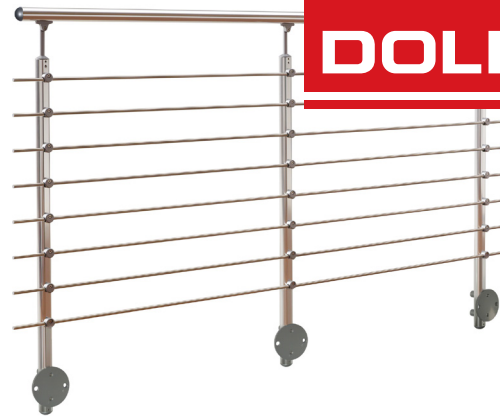


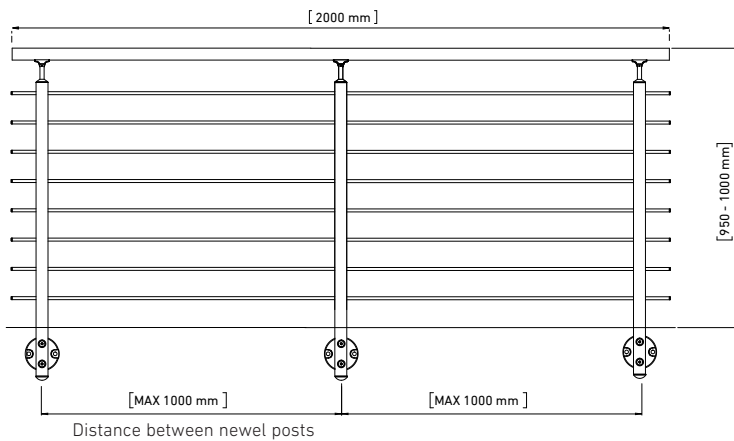
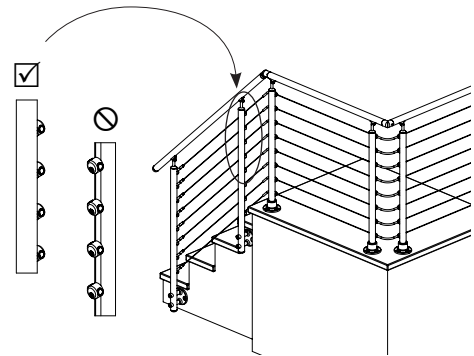
# MOUNTING INSTRUCTION

## PROVA ALU 8 & 10

### WALL MOUNTED



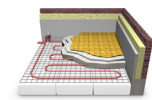
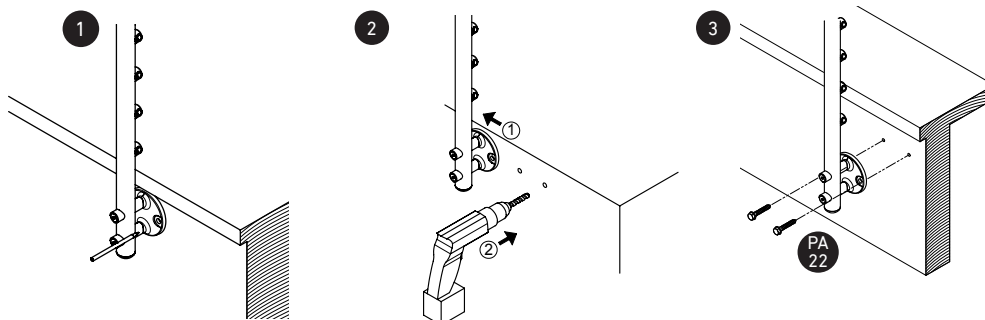
Tube are installed facing inward towards steps or flooring



### Mount the post PA2 in the wall - wood

PA22 Hexagon head screws for wood surface. PA22 screws, washers and cap for wood surfaces.

Mark drill holes using post before drilling

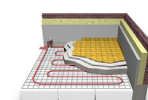
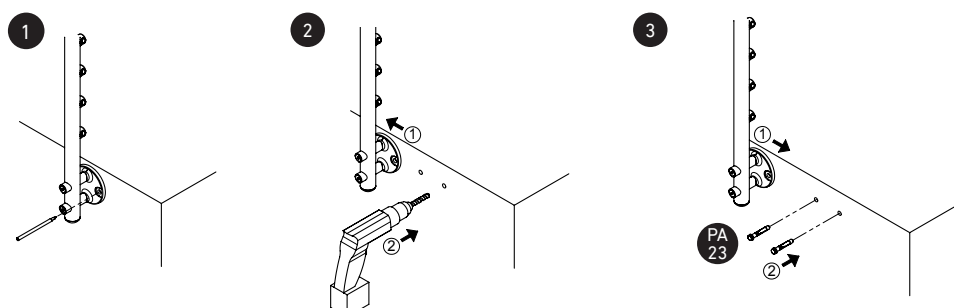


Be caution of heatfloor

### Mount the post PA2 in the wall - concrete

PA23 Heavy duty anchor for concrete. PA23 anchors, washers and caps for concrete surfaces.

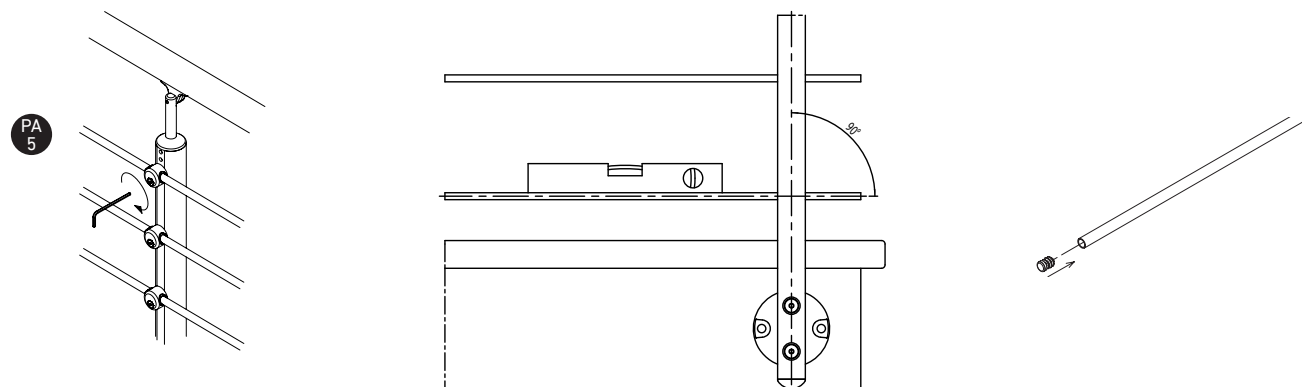
Mark drill holes using post before drilling



Be caution of heatfloor

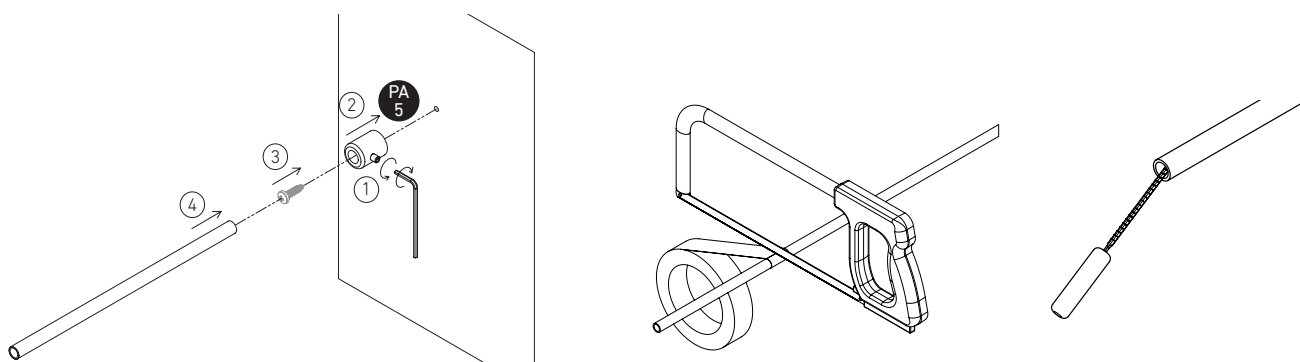
## Mount the stainless steel tubes on the post

PA5 Assembly of the stainless steel tubes ( 2 pack PA5 for Prova 10) . PA5 tubes are connected with plastic fittings supplied with the tubes.



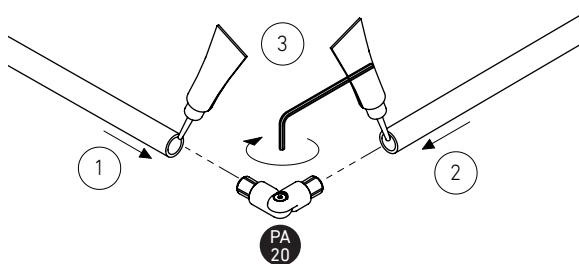
## Wall connection bracket for stainless steel tubes

PA11 for ending into wall of tubes.

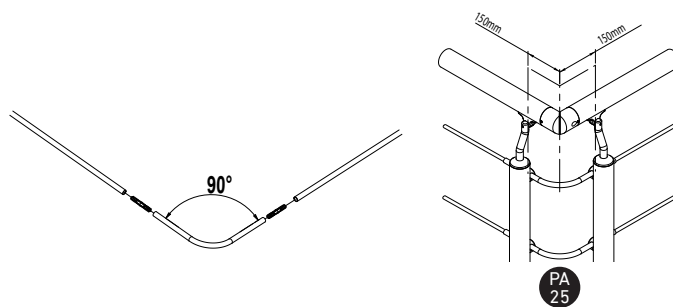


## Angle junction bracket for PA5 tube

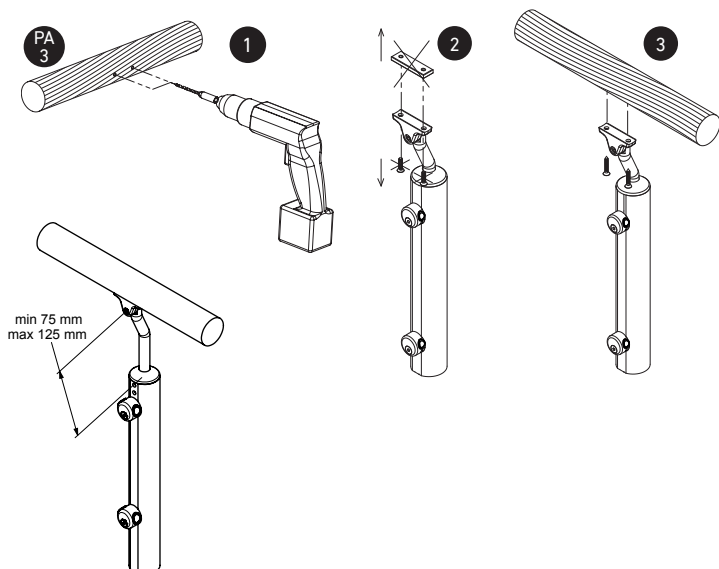
Use PA20 for corners or angles



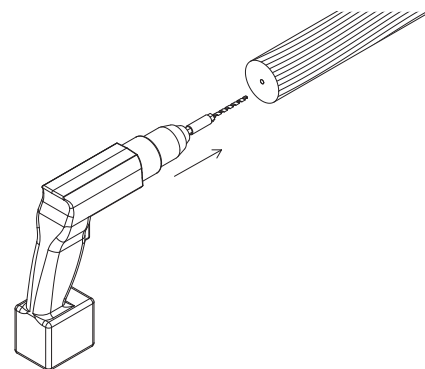
## 90 degree joint



## Mount the wooden handrail

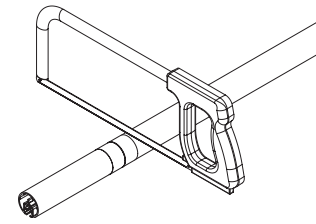
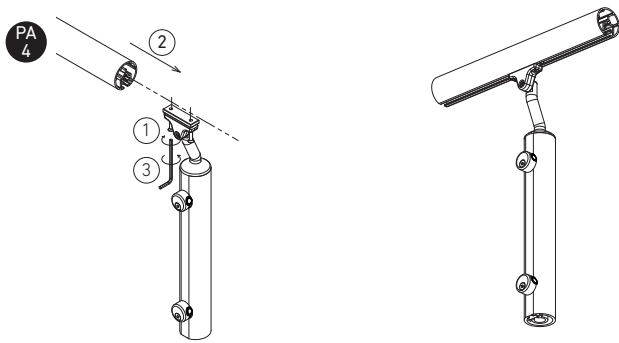


## Drilling template for wooden handrail

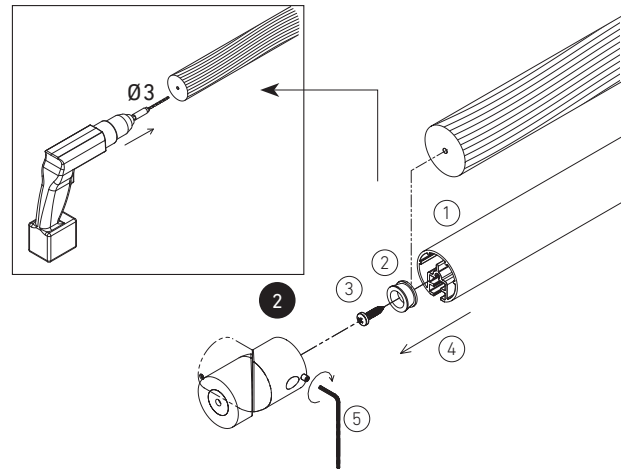
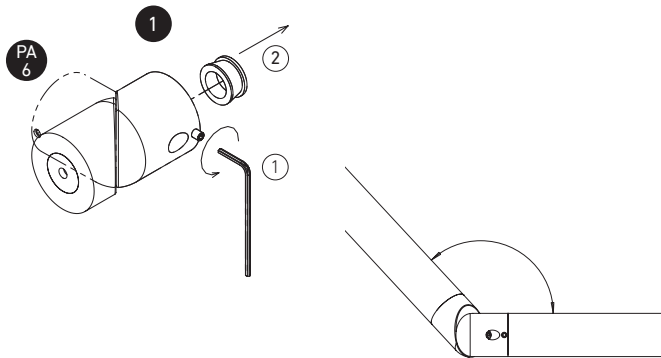


## Mount the aluminium handrail

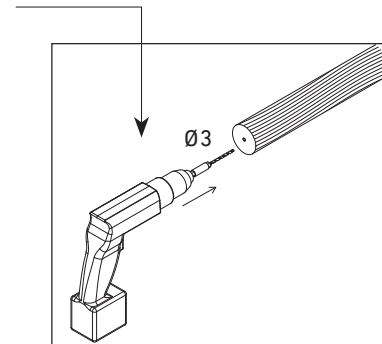
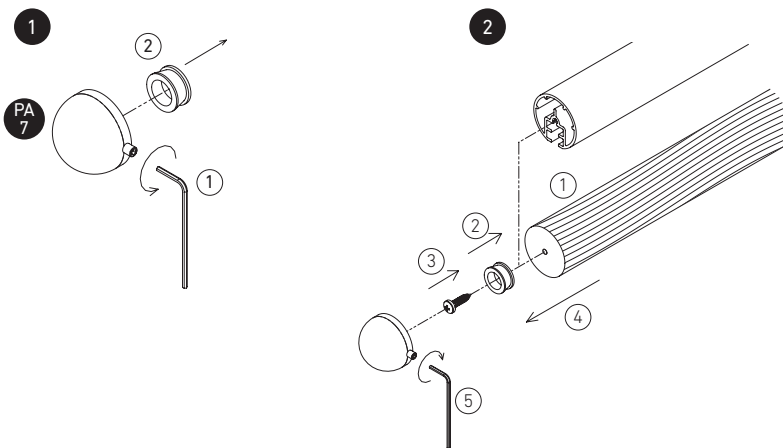
The handrails can be shortened with the help of a hacksaw. A length of tape should be wound around the place that will be sawn to ensure an attractive finish.



## Bracket for handrail junction (wood or aluminium)



## End cap for handrail (wood or aluminium)



## Wall or extension bracket for handrail in wood or aluminium

