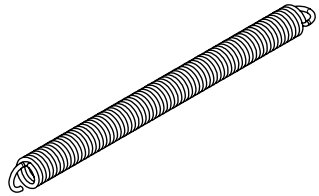
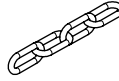



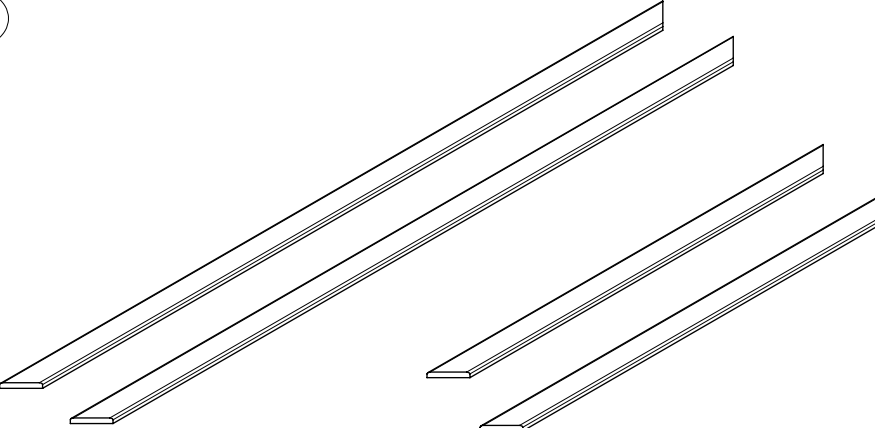


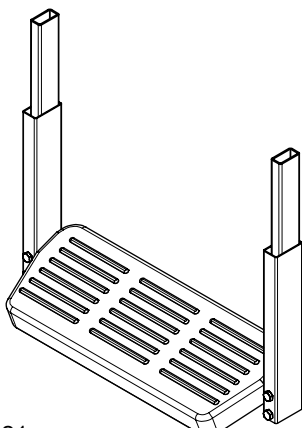
<p>1</p>  <p>x 2 R1-61381</p>	
<p>2</p>  <p>x 2 C1-09100</p>	<p>3</p>  <p>x 2 C1-09105</p>
<p>4</p>  <p>x 4 K3-06403 Ø6 x 40 - Torx 30</p> 	

7



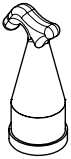
x 1

8



x 1
K2-16621

11



x 1
R1-66005

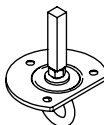
12



x 4
K3-06002
Ø4 x 25




13

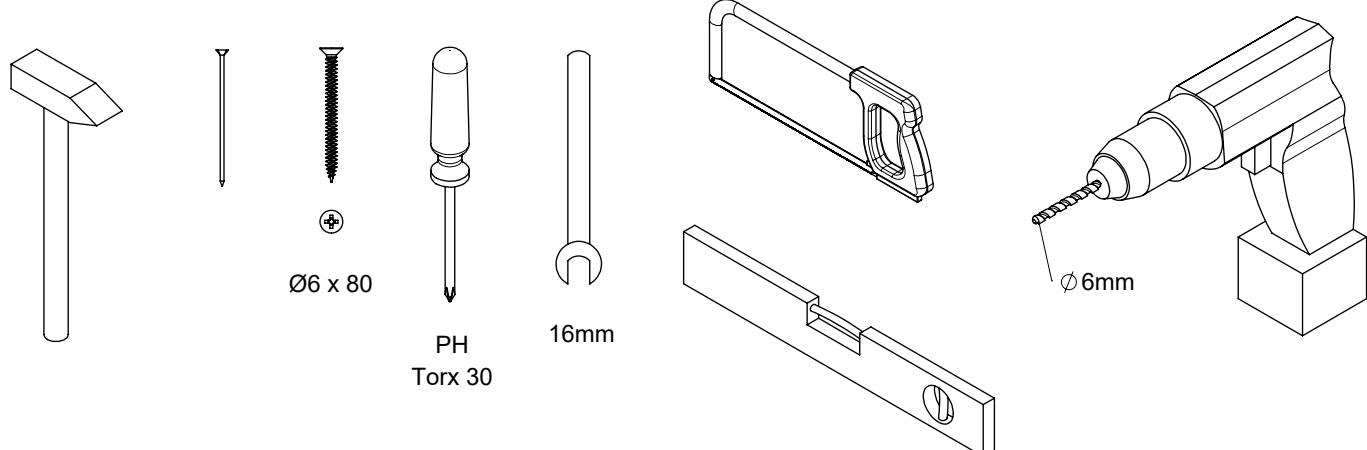


x 1
K2-22300

14



x 1
R1-40980



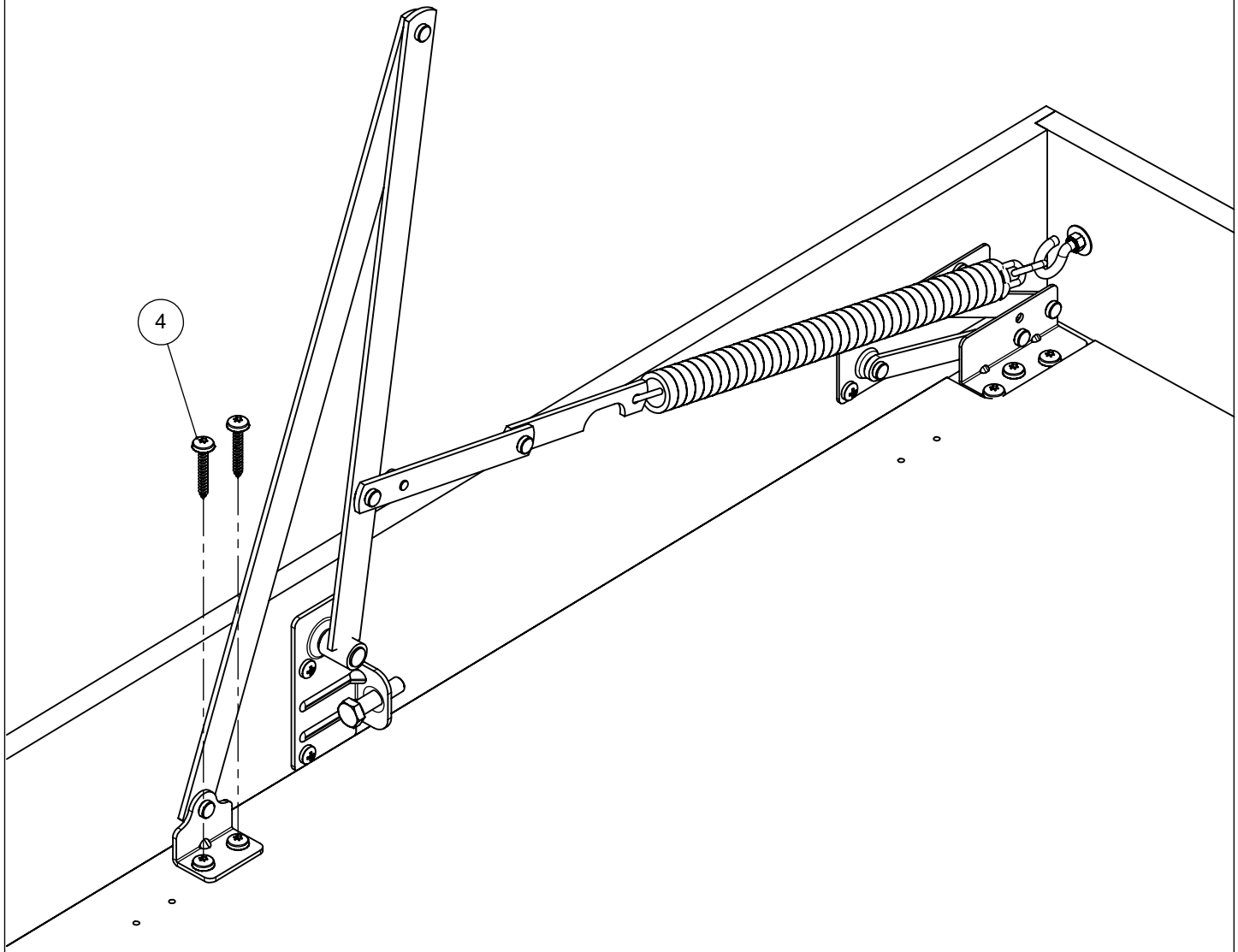
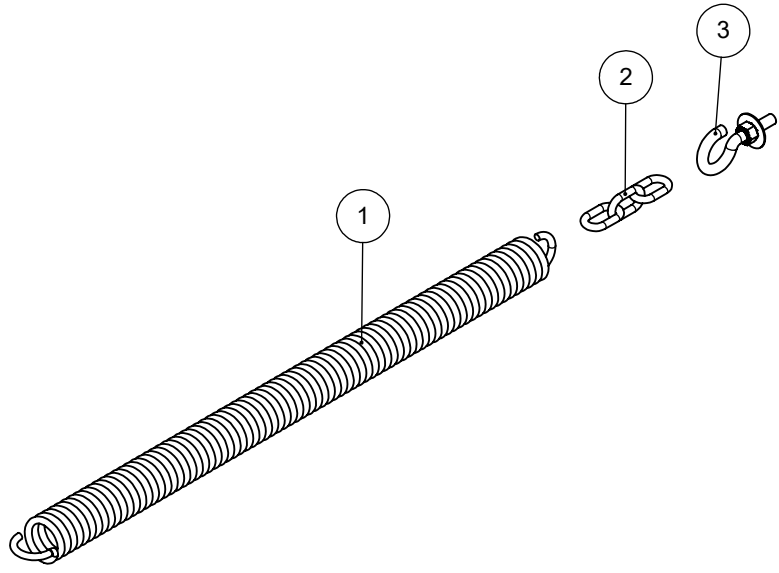
Ø6 x 80

PH
Torx 30

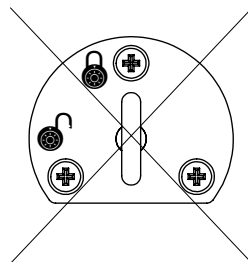
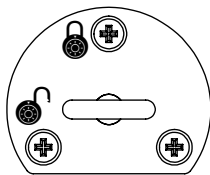
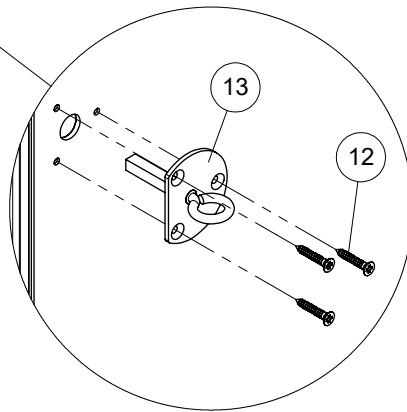
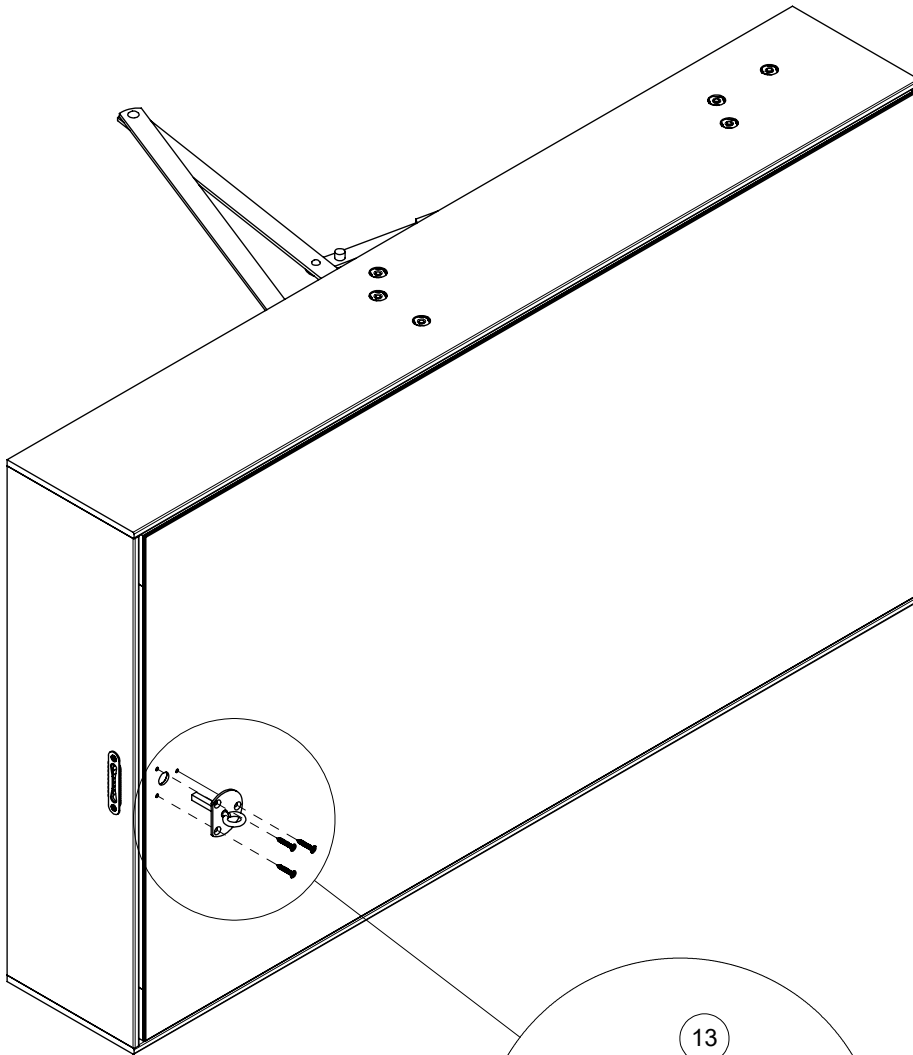
16mm

Ø6mm

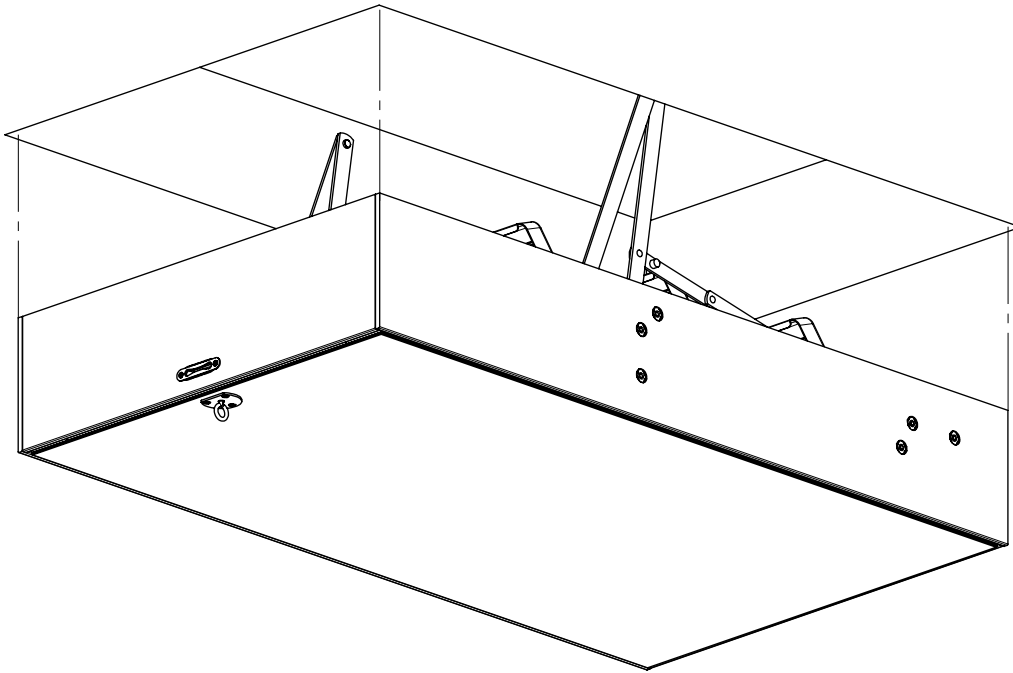
1



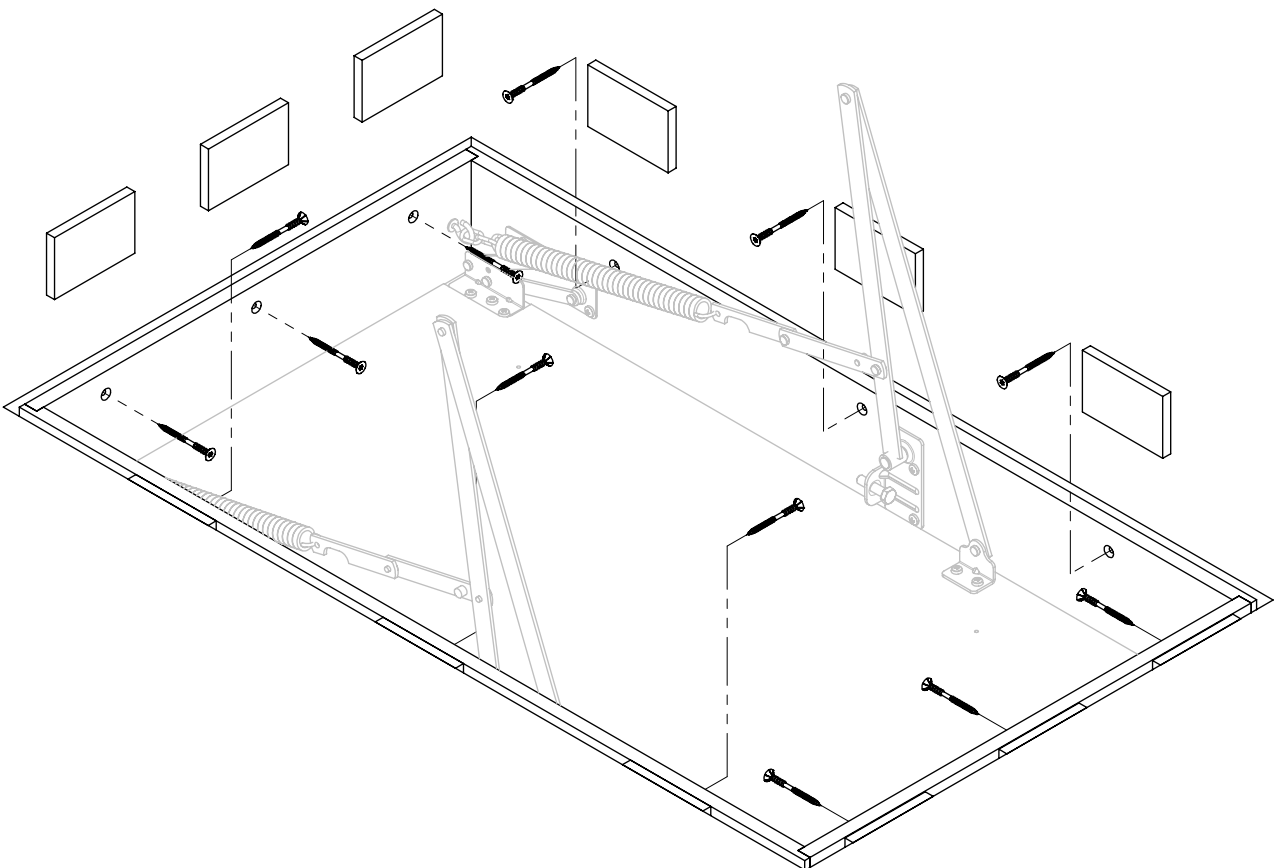
2

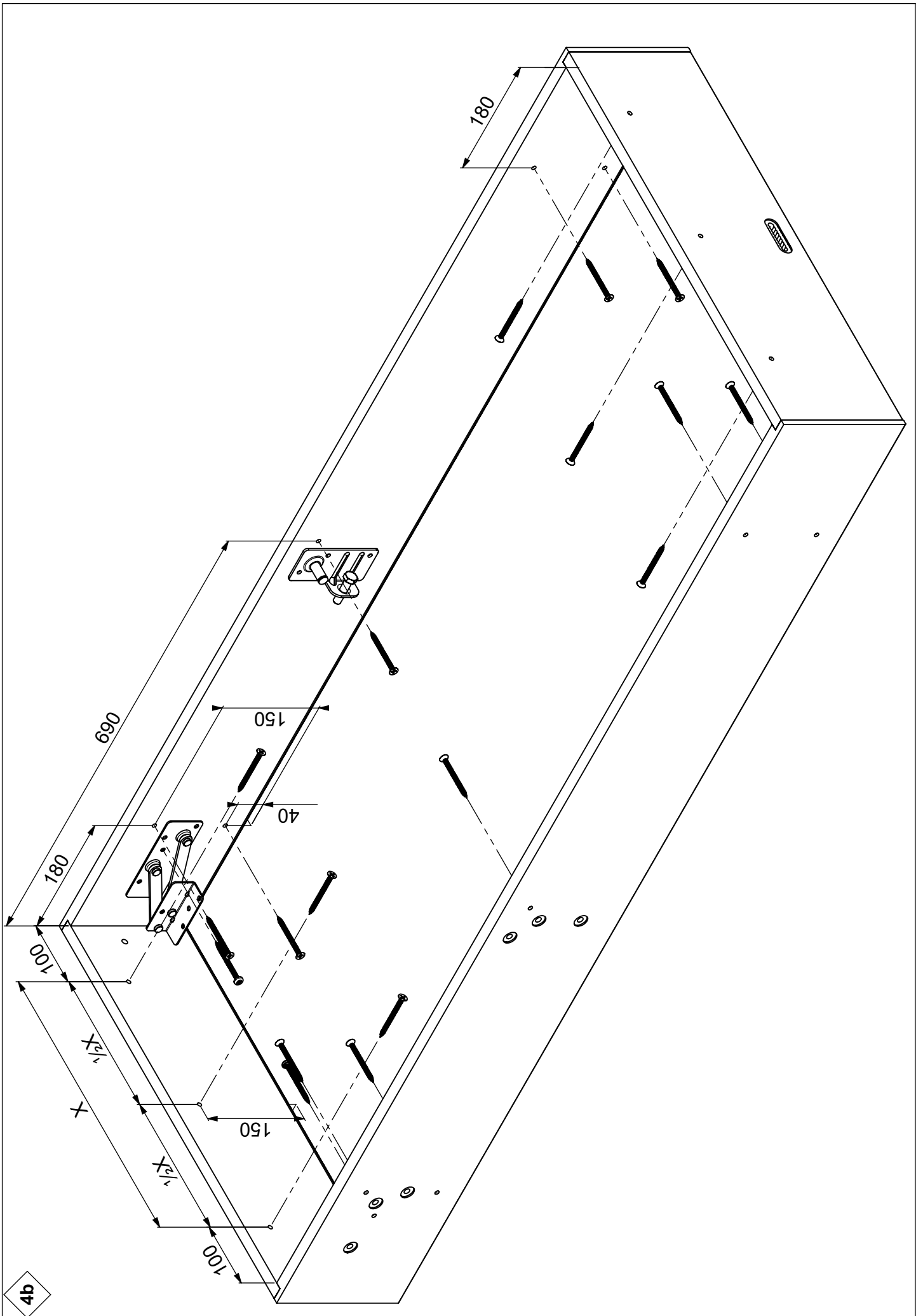


3



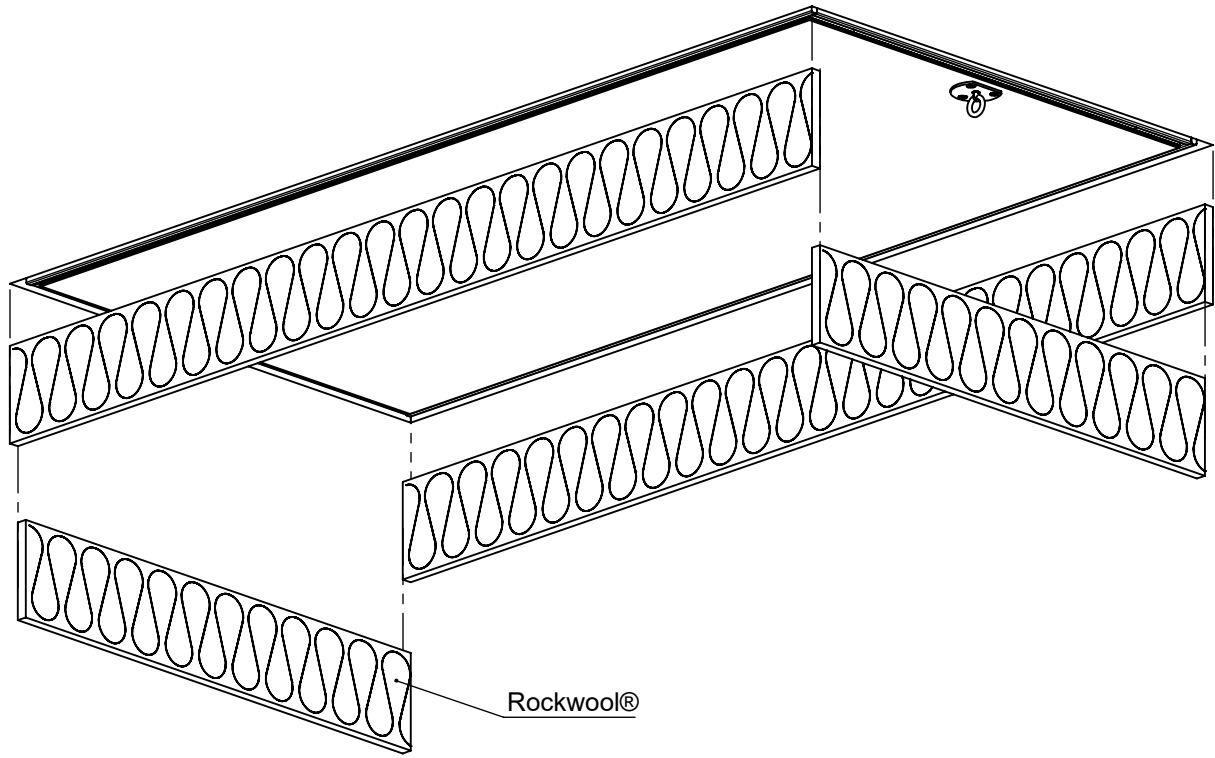
4a



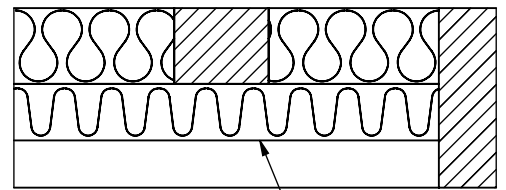
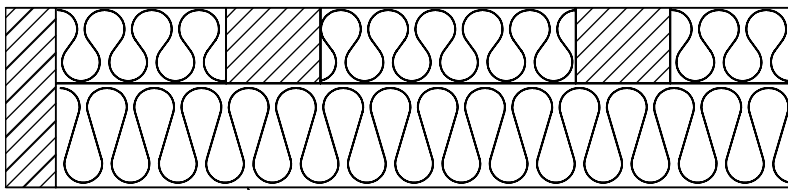


4b

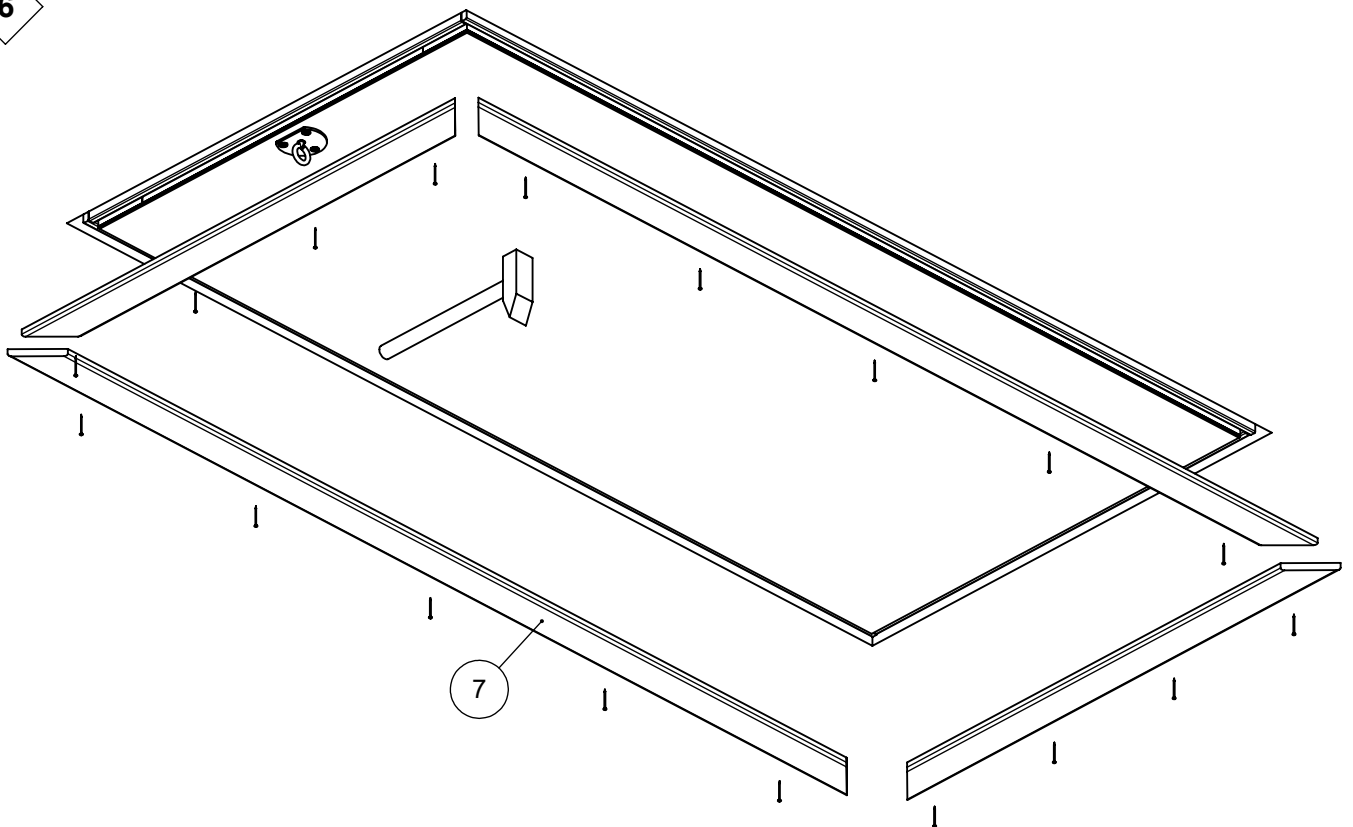
5



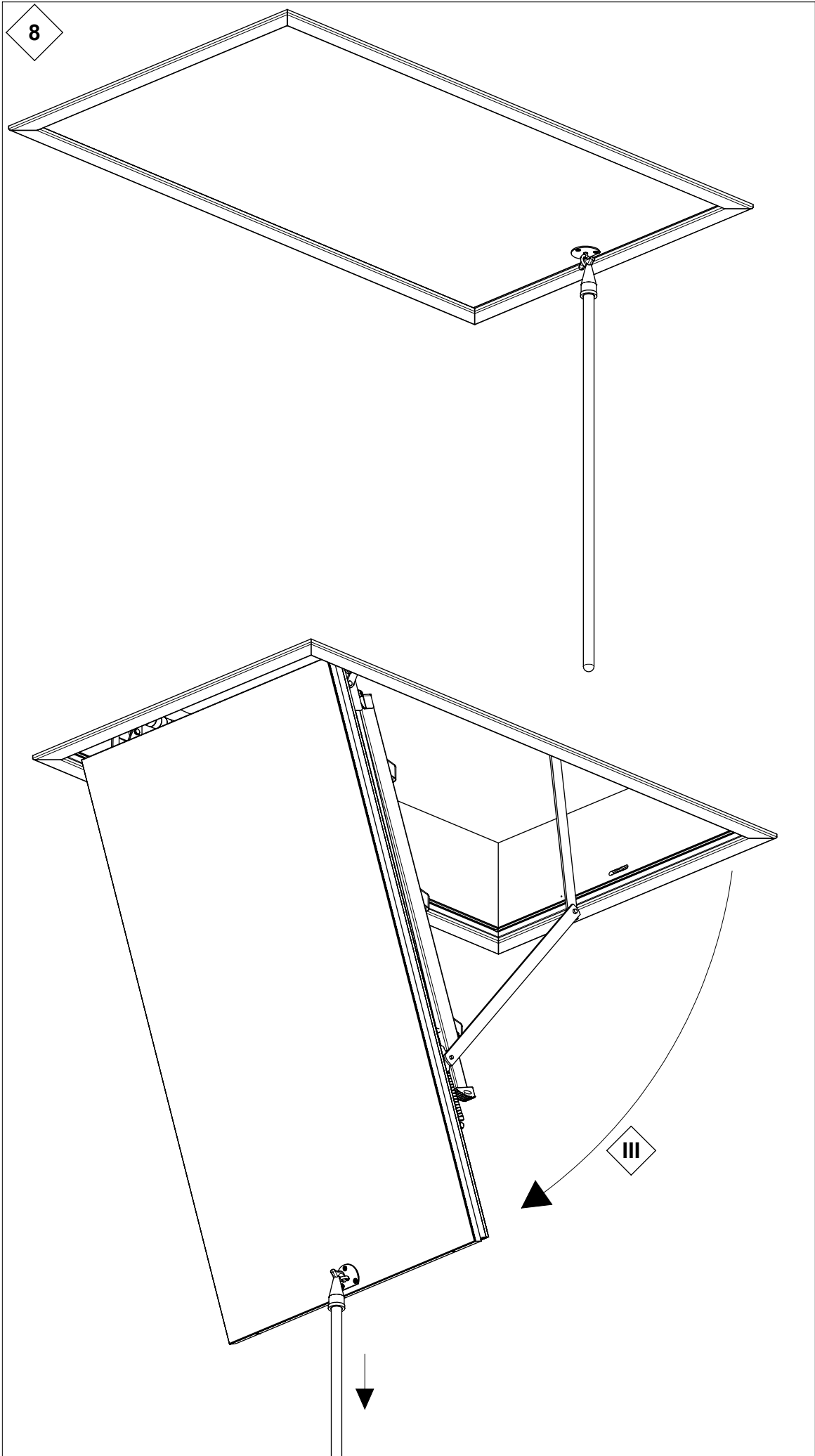
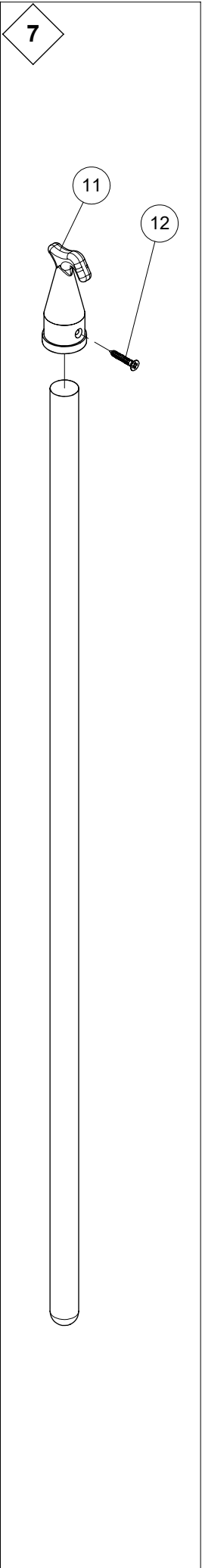
Rockwool®



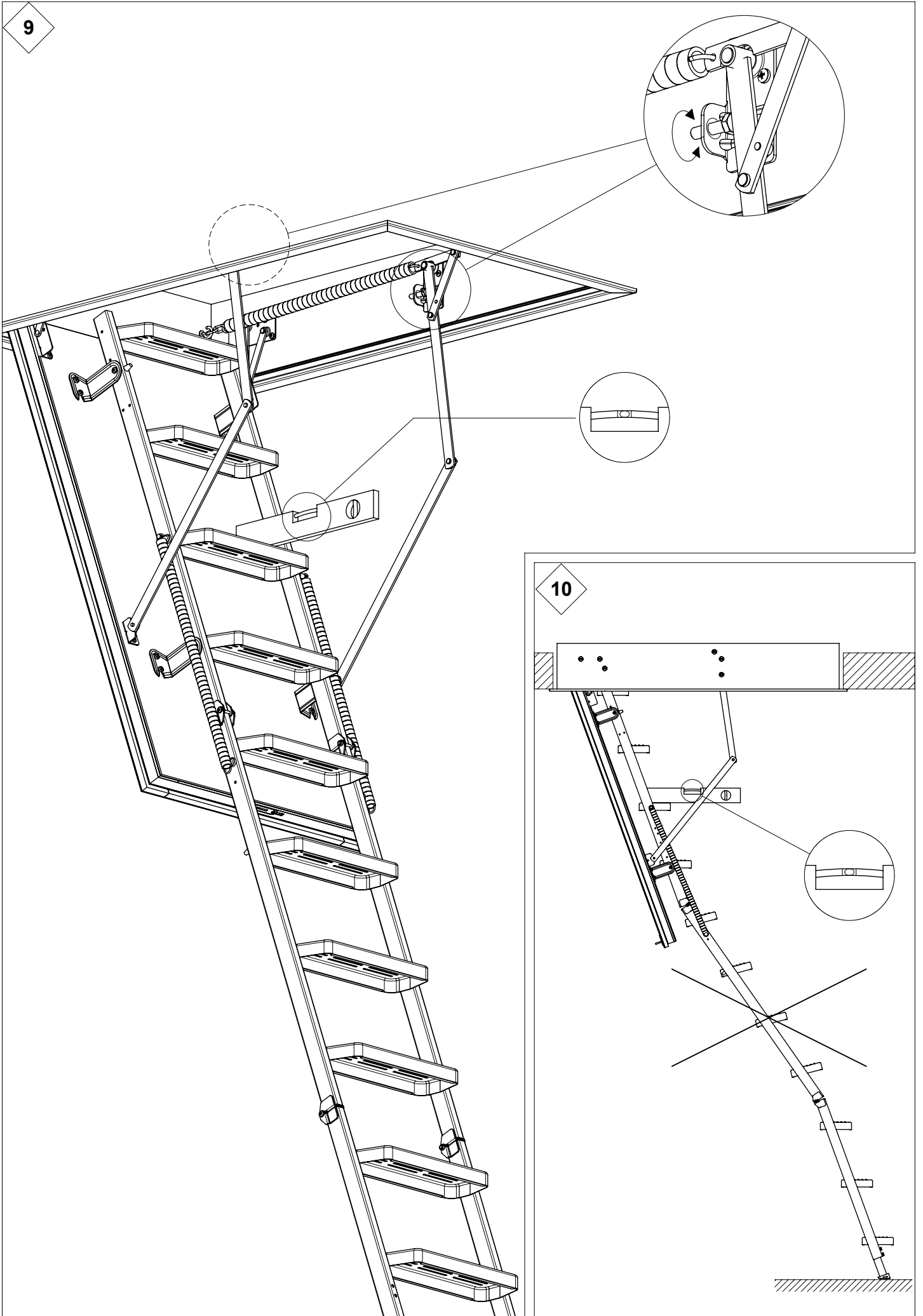
6



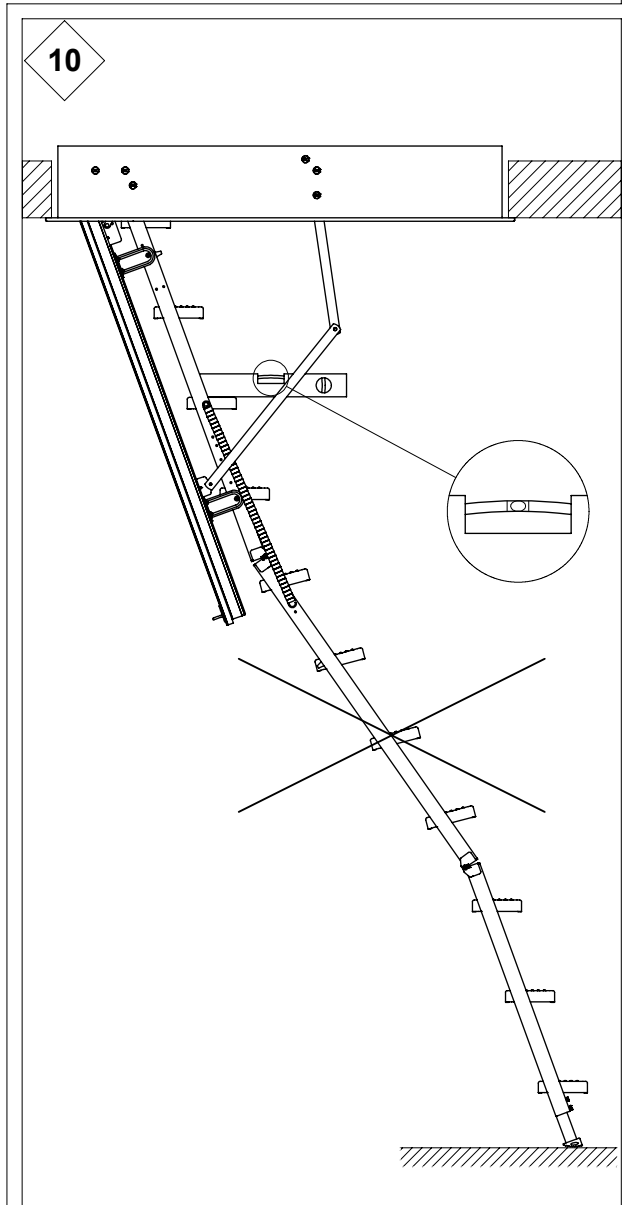
7



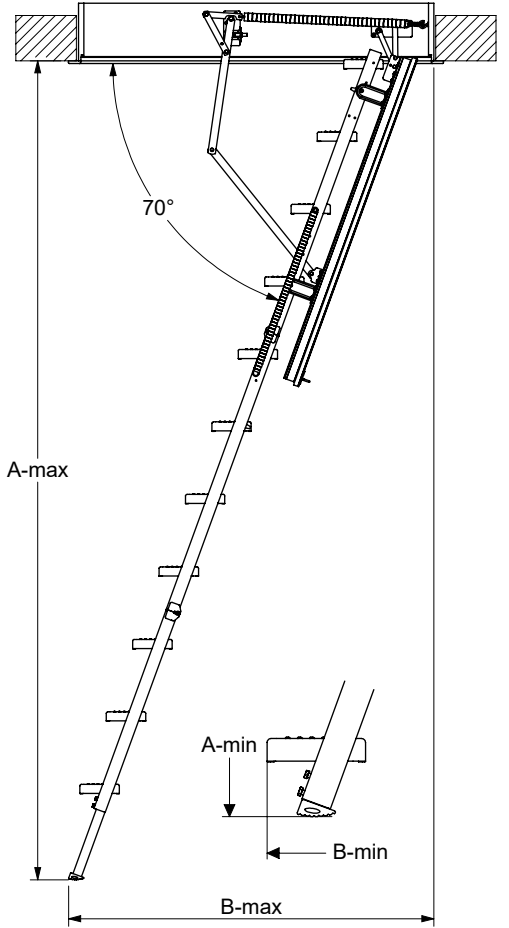
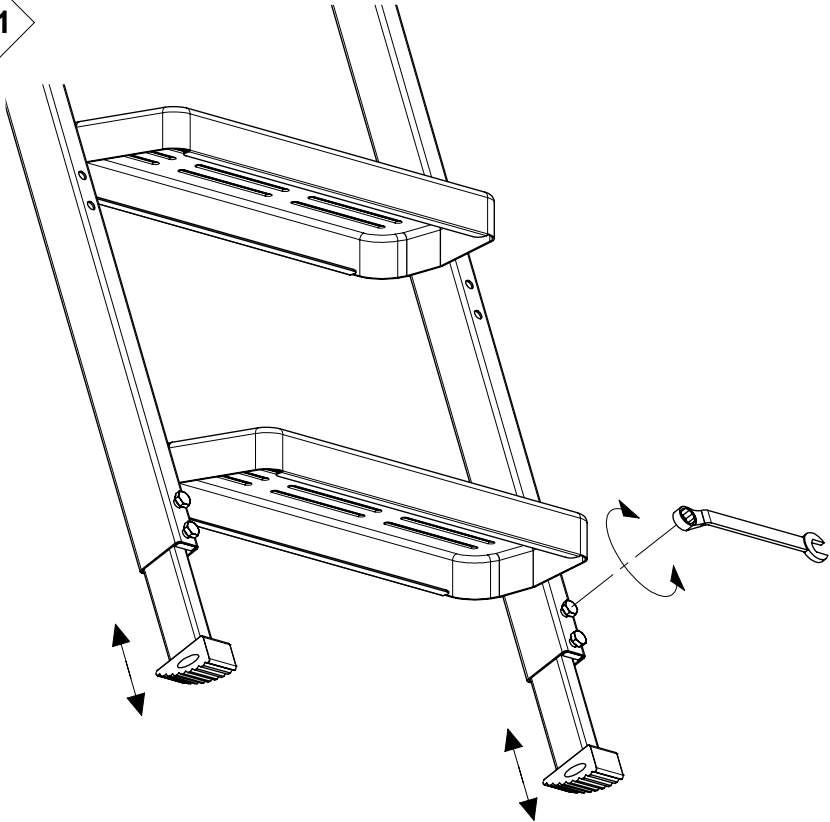
9





10



11



		A-min	A-max	B-min	B-max
		mm	mm	mm	mm
10	4-4-2	2286	2498	1083	1131
11	4-4-3	2495	2706	1170	1207
12	4-4-3-1	2697	2908	1257	1281

